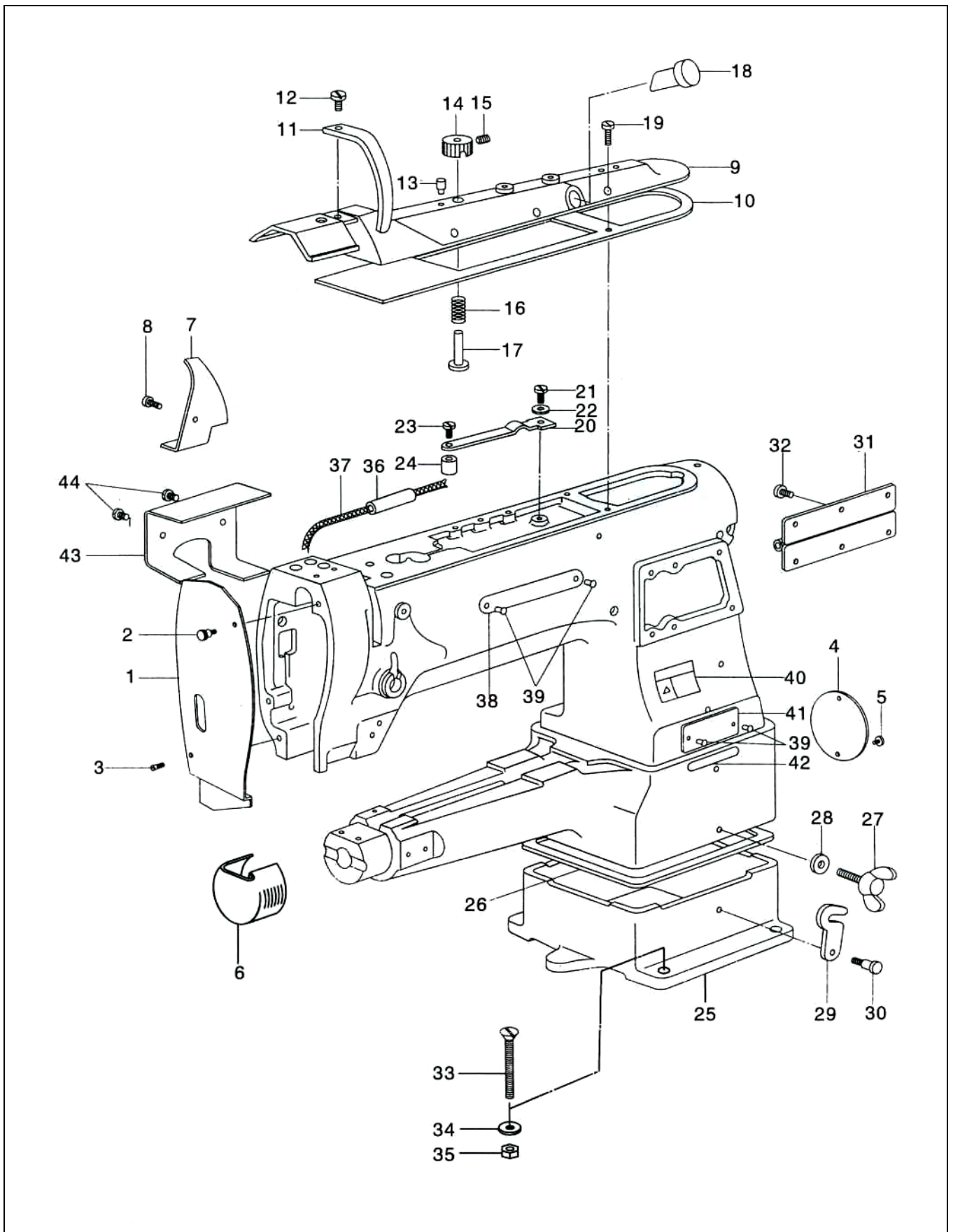


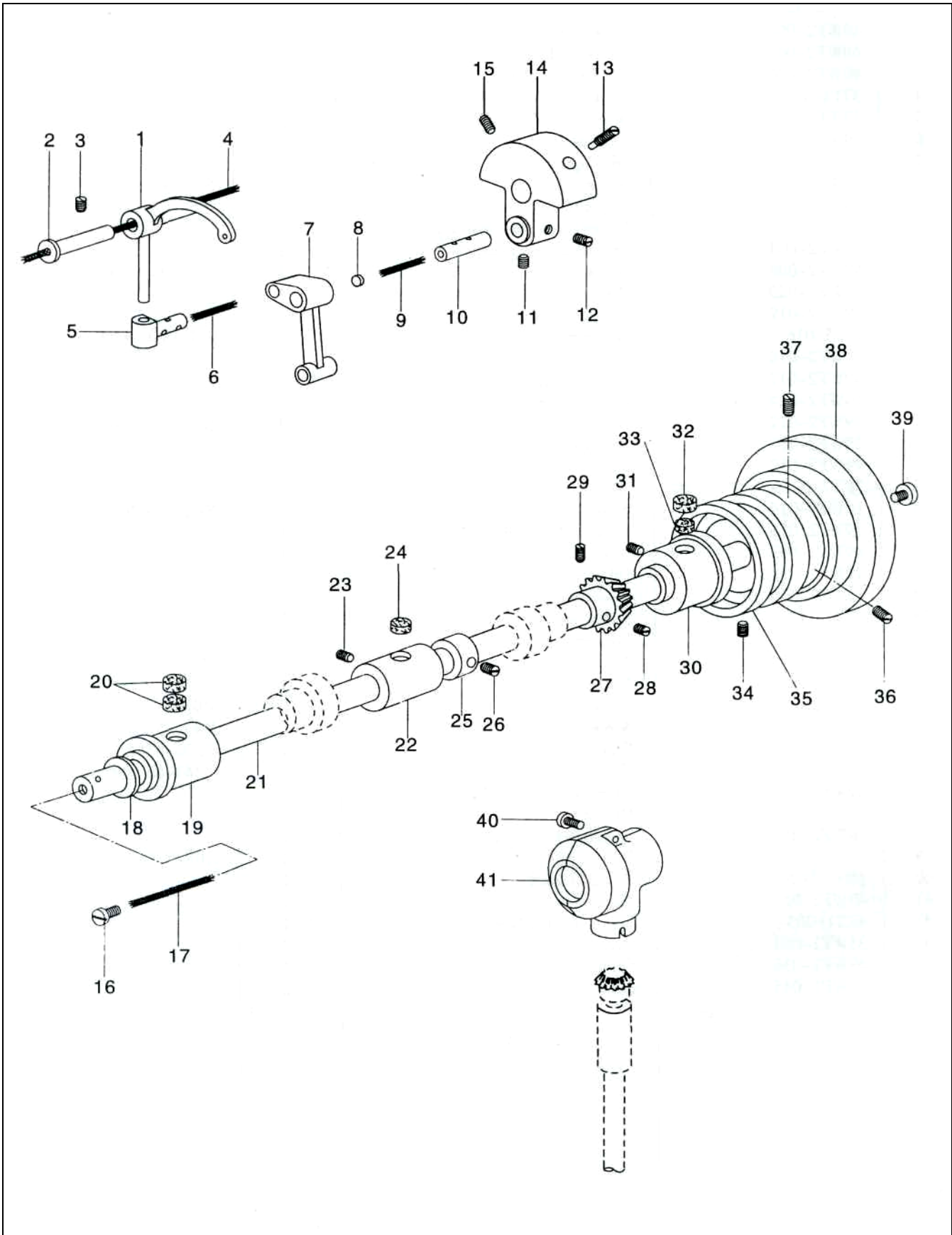
# 1. Machine body



## 1. Machine body

Ref. NO.	Parts No.	Name of parts	Qty.	Remarks
1	49WF2-004	Face plate	1	
2	49WF2-005	Screw for face plate	1	
3	49WF2-006	Pin for face plate	1	
4	37T4-422	Back cover	1	
5	13WF2-010	Screw for back cover	2	
6	49WF2-023	Cylinder	1	
7	16WF2-038	Oil stopper plate	1	
8	16WF1-059	Screw	1	SM9/64" x 40
9	49WF2-011	Upper plate	1	
10	49WF2-013	Upper sheet plate packing	1	
11	49WF2-008	Thread take—up cover	1	
12	49WF2-009	Screw	1	SM11/64" x 40
13	49WF2-020	Pin	1	
14	49WF2-019	Lubrication dial	1	
15	17T5-016	Set screw	1	SM15/64"x28
16	49WF2-018	Spring	1	
17	49WF2-017	Lubrication dial stud	1	
18	49WF2-014	Oil gauge window	1	
19	49WF2-012	Screw	7	SM9/64"x40
20	49WF2-015	Spring plate	1	
21	49WF2-012	Screw	1	
22	7KT2-020	Washer	1	
23	16WF3-014	Screw	1	SM1/8" x40
24	49WF2-016	Oil adjusting collar	1	
25	49WF2-003	Base	1	
26	49WF2-010	Oil pan	1	
27	22WF2-006	Screw assembly	1	
28	37T4-411	Spring washer	1	
29	37T4-409	Connecting hook	1	
30	22WF2-020	Screw	1	SM1/4" x 28
31	37T4-407	Hinge	1	
32	22WF2-004	Screw	6	M6x1
33		Screw	4	M8x75 GB68-85
34		Washer	4	GB96-85-8
35		Nut	4	GB41-86-8M
36	49WF2-021	Oil pipe	1	
37		Oil wick	1	
38	16WF2-053	Logo label	1	
39		Rivet	4	GB827-86 2.5x5
40	1KT1-005	Warning label	1	
41	49WF2-034	Model label	1	
42	4KT1-005	Series number label	1	
43	35WF1-054	Rivet	2	
44	49WF2-036	Safety cover	1	
45	13WF1-045	Screw	2	

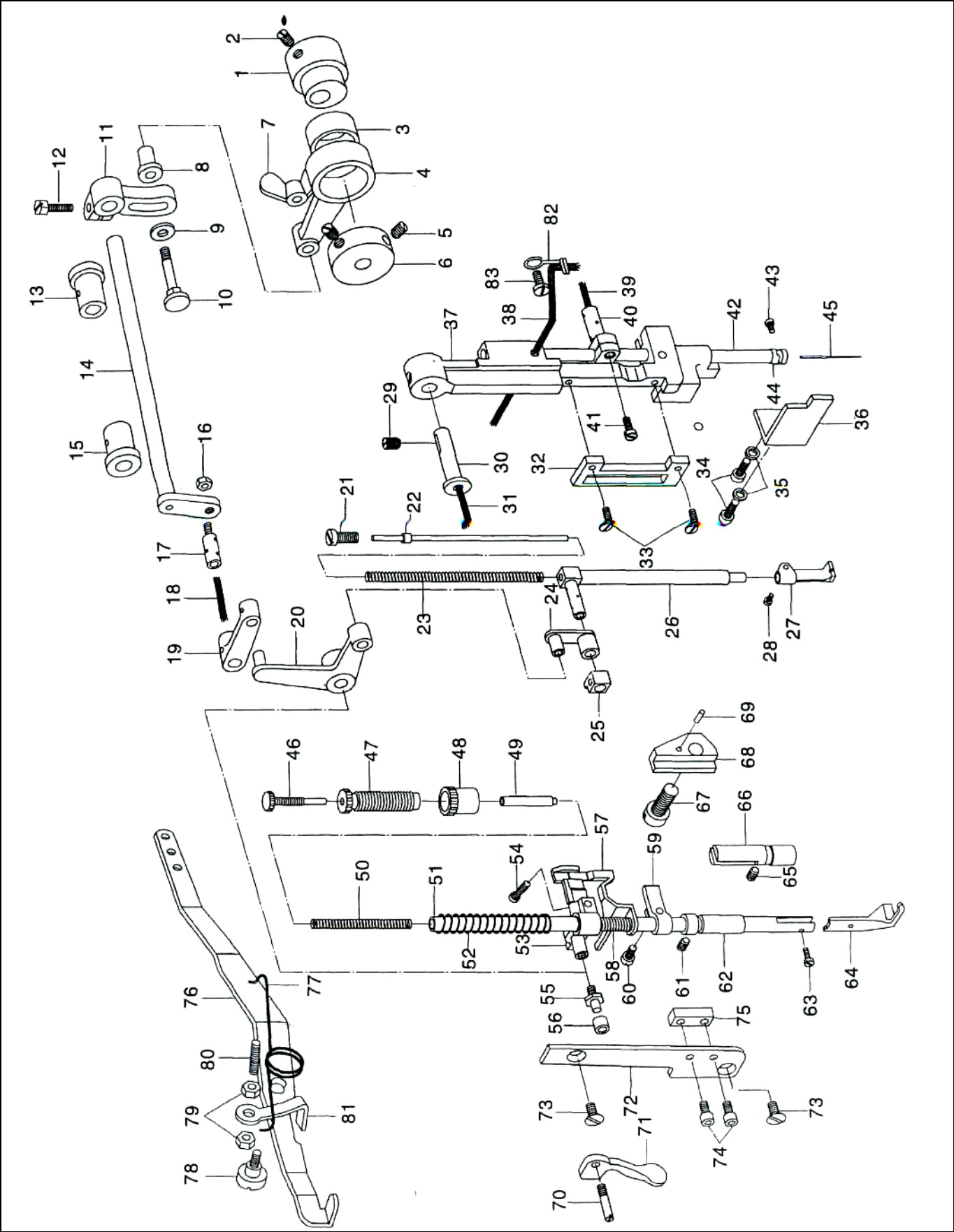
## 2. Upper shaft and thread take-up mechanism



## 2. Upper shaft and thread take-up mechanism

Ref. NO.	Parts No.	Name of parts	Qty.	Remarks
1	49WF1-005	Thread take—up	1	
2	49WF1-003	Thread take—up pin	1	
3	49WF1-004	Screw	1	SM17/64" x 32
4		Oil wick	1	
5	16WF1-013	Thread take-up slide block	1	
6		Oil	1	
7	16WF1-014	Needle crank rod	1	
8	49WF1-006	Rubber cap	1	
9		Oil wick	1	
10	16WF1-015	Needle bar crank pin	1	
11	16WF1-016	Set screw	1	SM1/4" x 28
12	16WF1-017	Screw	1	SM1/4"x28
13	16WF1-019	Ser screw	1	SM1/4"x28
14	16WF1-018	Needle crank	1	
15	16WF1-020	Screw	1	SM1/4"x28
16	22WF2-049	Screw	1	SM5/16" x 28
17		Oil wick	1	
18	16WF1-021	Washer	1	
19	22WF1-053	Upper shaft bush (L)	1	
20	16WF1-025	Felt	2	
21	49WF1-007	Upper shaft	1	
22	49WF1-008	Upper shaft bush (M)	1	
23	16WF1-004	Screw	1	SM17/64" x 32
24	16WF1-025	Felt	1	
25	49WF1-012	Upper shaft collar	1	
26	22WF1-048	Screw	2	SM1/4" x 28
27	49WF1-013	Upper shaft bevel gear	1	
28	49WF1-014	Screw	1	SM1/4" x 40
29	49WF1-015	Set screw	1	SM1/4"x40
30	49WF1-009	Upper shaft bush	1	
31	16WF1-004	Screw	1	SM17/64" x 32
32	49WF1-010	Felt	1	
33	49WF1-011	Small felt	1	
34	16WF1-056	Screw	1	SM1/4" x 32
35	22WF1-008	Ring	1	
36	13WF1-077	Set screw	1	SM15/64" x 28
37	13WF1-078	Screw	1	SM15/64"x28
38	16WF1-035	Pulley	1	
39	16WF1-040	Screw	1	SM11/32"x28
40	49WF1-017	Screw	1	SM9/64" x 40
41	49WF1-016	Gear cover (U)	1	

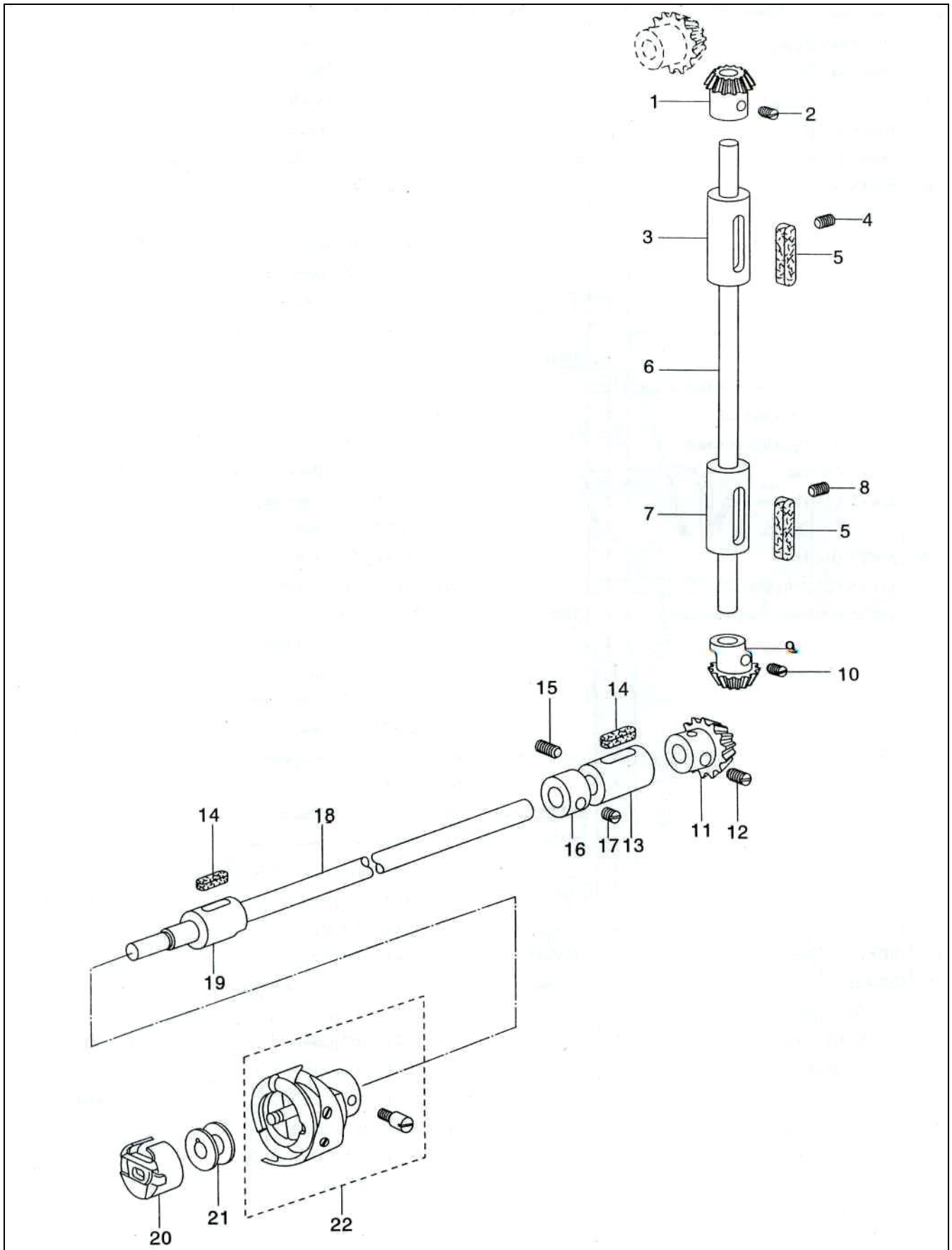
3. Needle bar, rocking frame, presser foot mechanism



### 3. Needle bar, rocking frame, presser foot mechanism

Ref. NO.	Parts No.	Name of parts	Qty.	Remarks	Ref. NO.	Parts No.	Name of parts	Qty.	Remarks
1	49WF5-006	Inner presser foot vertical cam	1		43	22WF1-003	Screw	1	SM17/64" x 32
2	22WF4-002	Set screw	2	SM1/4" x 40	44	49WF1-002	Needle bar thread guide	1	
3		Needle bearing	1		45		Needle	1	DP x 17 16#
4	22WF5-021	Eccentric wheel connecting rod	1		46	49WF3-004	Pressure adjustment screw(small)	1	
5	22WF5-025	Screw	2	SM7/32" x 32	47	49WF3-001	Pressure adjustment screw(big)	1	
6	22WF5-024	dollar	1		48	49WF3-002	Screw	1	
7	22WF5-020	Nut	1		49	49WF3-006	Spring pin	1	
8	22WF5-019	dollar	1		50	49WF3-005	Spring	1	
9	16WF2-023	Washer	1		51	22WF3-005	Presser bar	1	
10	22WF5-018	Stud screw	1		52	49WF3-003	Spring	1	
11	22WF5-017	Crank	1		53	22WF3-007	Presser bar lifter	1	
12	16WF3-030	Clamping screw	1	SM1/4" x 28	54	16WF2-033	Screw	1	SM11/64" x 40
13	22WF5-003	Upper feed shaft bush	1		55	49WF3-009	Holler screw	1	
14	22WF5-012	Upper feed shaft	1		56	49WF3-010	Roller	1	
15	22WF5-013	Upper feed shaft bush	1		57	22WF3-009	Thread release plate	1	
16	22WF5-016	Nut	1		58	22WF3-008	Thread release spring	1	
17	22WF5-015	Pin screw	1		59	16WF4-021	Presser bar guide	1	
18		Oil wick	1		60	16WF4-022	Screw	1	SM9/64" x 40
19	22WF5-014	Link	1		61	16WF3-025	Set screw	1	SM17/64" x 32
20	22WF5-026	Swing plate	1		62	49WF3-007	Presser bar bush	1	
21	49WF5-009	Pressure adjustment screw	1	SM5/16" x 24	63	22WF3-014	Set screw	1	SM9/64" x 40
22	22WF5-031	Spring rod	1		64	49WF3-015	Outer presser foot	1	
23	49WF5-007	Spring	1		65	6K2-042	Screw	1	M 6 x 1
24	22WF5-028	Link	1		66	49WF3-008	Presser bar guide shaft	1	
25	22WF5-009	Slide block	1		67	22WF3-011	Screw	1	SM1/4" x 28
26	22WF5-029	Inner presser foot bar	1		68	22WF3-010	Presser plate	1	
27	49WF5-008	Inner presser foot	1		69	22WF3-012	Pin	1	
28	22WF5-033	Screw	1	SM5/32" x 40	70	16W4F-001	Pin screw	1	
29	16WF1-011	Screw	1	SM17/64" x 32	71	16W4F-002	Presser foot lifter	1	
30	22WF5-002	Rocking frame shaft	1		72	49WF3-011	Thread release guiding plate	1	
31		Oil wick	1		73	49WF3-012	Screw	2	SM15/64" x 28
32	22WF5-003	Bridging plate	1		74	49WF3-014	Screw	2	M5 x 0.8
33	16WF1-059	Screw	2	SM9/64" x 40	75	49WF3-013	Stopper block	1	
34	6K2-019	Screw	2	M4 x 0.7	76	22WF3-002	Presser foot lifter lever	1	
35	22T1-007	Washer	2		77	22WF3-001	Presser spring	1	
36	49WF5-001	Guide plate	1		78	16WF3-059	Screw	1	SM1/4" x 28
37	22WF5-001	Needle bar rocking frame	1		79	22WF3-004	Nut	2	
38		Oil wick	1		80	22WF3-003	Set screw	1	SM15/64" x 28
39		Oil wick	1		81	22WF3-015	Stopper	1	
40	22WF1-004	Connecting stud	1		82	49WF5-010	Oil wick set ring	1	
41	16WF1-009	Screw	1	M4 x 0.7	83	49WF2-012	Set screw	1	
42	49WF1-001	Needle bar							

#### 4. Vertical shaft, lower shaft mechanism

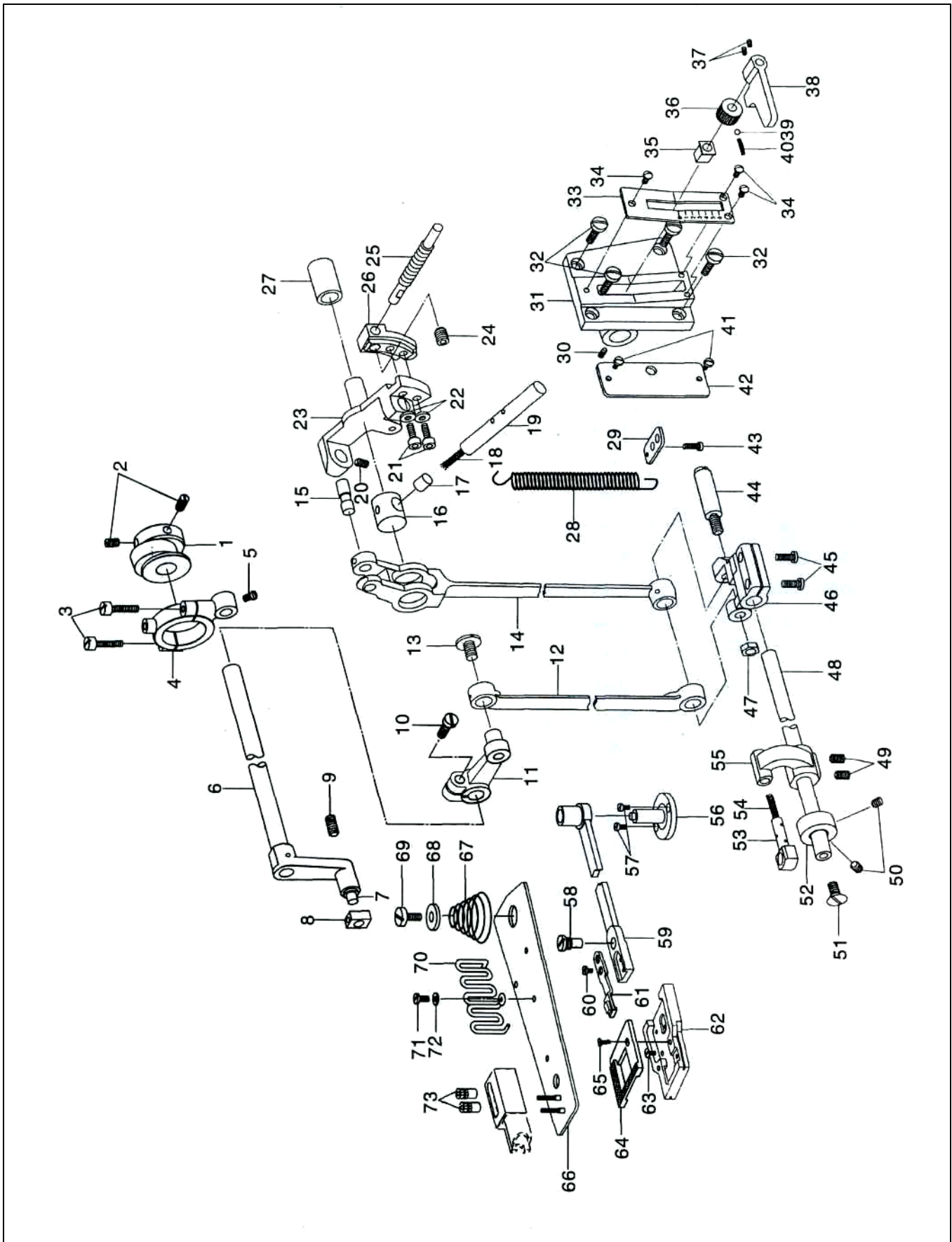


#### 4. Vertical shaft, lower shaft mechanism

Ref. NO.	Parts No.	Name of parts	Qty.	Remarks
1	49WF1-019	Vertical shaft gear (U)	1	
2	49WF1-020	Set screw	2	SM1/4"x40
3	40WF1-023	Vertical shaft bush (U)	1	
4	16WF3-025	Set screw	1	SM17/64" x 32
5	49WF1-025	Felt	2	
6	49WF1-018	Vertical shaft	1	
7	49WF1-024	Vertical shaft bush (L)	1	
8	16WF1-004	Set screw	1	SM17/64" x 32
9	49WF1-021	Vertical shaft gear (L)	1	
10	49WF1-020	Set screw	2	SM1/4"x40
11	49WF1-027	Lower shaft gear	1	
12	49WF1-015	Set screw	2	SM1/4"x40
13	49WF1-030	Lower shaft bush (B)	1	
14	49WF1-031	Felt	1	
15	16WF1-004	Screw	1	SM17/64" x 32
16	49WF1-032	Lower shaft collar	1	
17	7KT3-026	Screw	2	SM11/64"x32
18	49WF1-026	Lower shaft	1	
19	49WF1-029	Lower shaft bush (A)	1	
20		Bobbin case	1	SC39-14
21	49WF1-033	Bobbin	1	
22		Rotary hook	1	KR69-V



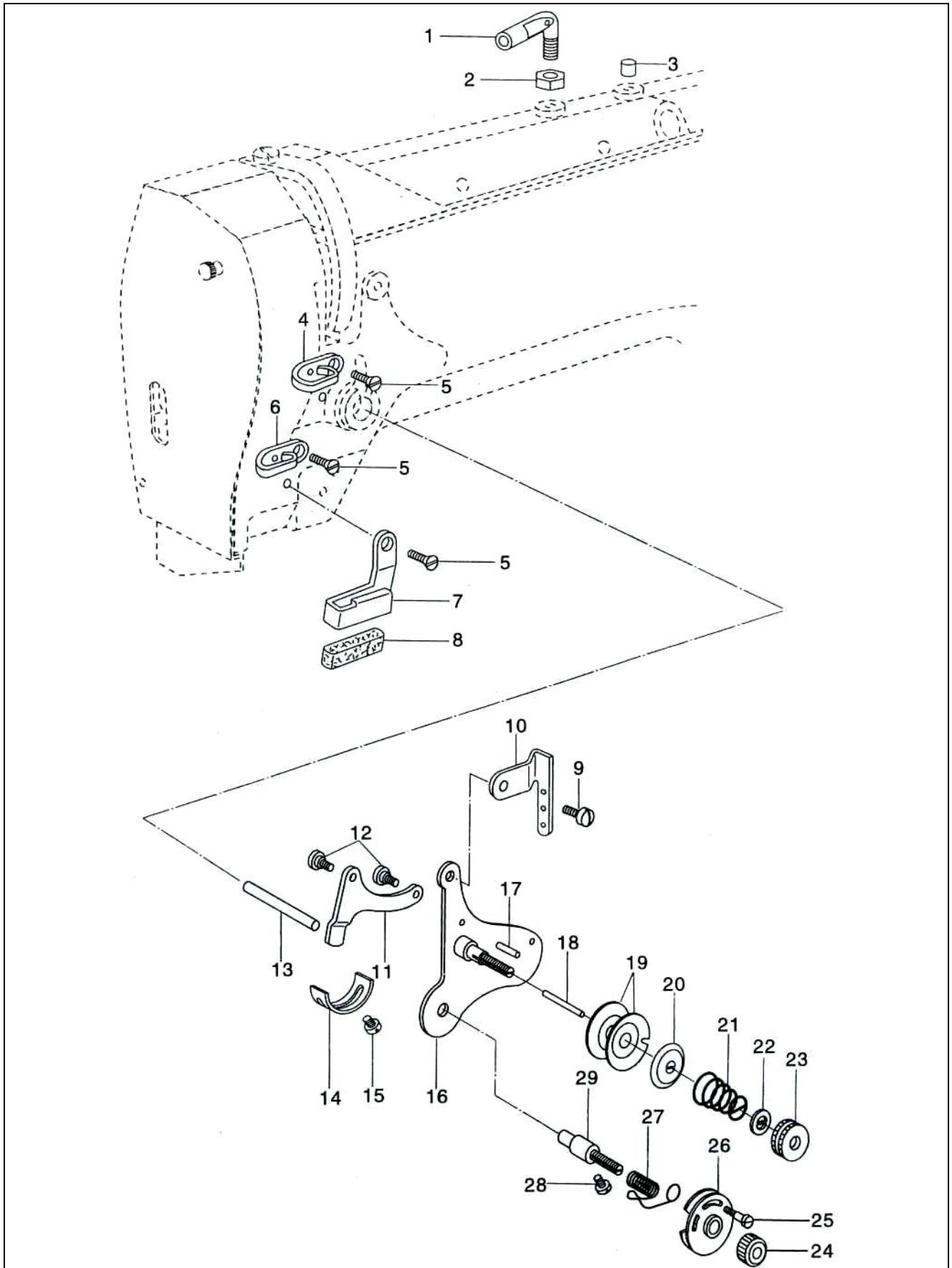
## 5. Feed mechanism



## 5. Feed mechanism

Ref.NO.	Parts No.	Name of parts	Qty.	Remarks	Ref.NO.	Parts No.	Name of parts	Qty.	Remarks
1	49WF4-001	Feed eccentric cam	1		38	22WF4-028	Feed adjust lever	1	
2	7KT3-033	Screw	2	SM1/4" x 40	39		Ball	1	Φ3.17
3	49WF4-003	Screw	2	M5 x 0.8	40	22WF4-030	Spring	1	
4	49WF4-002	Feed upper crank	1		41	37T4-416	Screw	2	SM9/64" x 40
5	1WF3-025	Screw	1	SM11/64"x40	42	49WF2-033	Arm back cover	1	
6	49WF5-002	Needle bar rocking shaft	1		43	13WF1-045	Screw	1	M5 x 0.8
7	22WF5-006	Slide block shaft	1		44	49WF4-021	Lower feed crank link shaft	1	
8	22WF5-005	Slide block	1		45	49WF4-020	Screw	2	M6x1
9	22WF1-020	Screw	1	SM7/32" x 32	46	49WF4-019	Lower feed crank	1	
10	22WF3-011	Screw	1	SM1/4"x28	47	7KT3-039	Screw	1	
11	49WF5-W3	Crank	1		48	49WF4-018	Feed shaft	1	
12	49WF5-004	Needle bar rocking link	1		49	7KT5-024	Screw	2	SM15/64"x28
13	49WF5-005	Screw	1	SM17/64"x32	50	49WF4-029	Screw	2	SM11/64"x32
14	49WF4-004	Feed link	1		51	49WF2-030	Set screw	1	SM9/64" x 40
15	49WF4-005	Feed link pin	1		52	49WF4-024	Feed shaft collar	1	
16	49WF4-009	Stitch length regulating shaft	1		53	49WF4-023	Link shaft	1	
17	49WF1-006	Rubber plug	1		54		Oil wick	1	
18		Oil wick	1		55	49WF4-022	Feed shaft crank (A)	1	
19	49WF4-008	Reverse stitching control rod	1		56	49WF2-028	Feed arm bracket	1	
20	21WF3-010	Screw	1	SM3/16" x 32	57	22WF4-014	Screw	2	SM11/64" x 40
21	6K2-019	Screw	2	M4 x 0.7	58	49WF4-028	Pin screw	1	
22	22T1-007	Washer	2		59	49WF4-027	Feed arm	1	
23	49WF4-006	Stitch length regulating bracket	1		60	49WF4-026	Screw	2	SM1/8" x 44
24	49WF4-014	Screw	1	SM15/64" x 32	61	49WF4-025	Feed dog	1	
25	49WF4-013	Pin screw	1		62	49WF2-025	Hook setting bracket	1	
26	49WF4-010	Bracket	1		63	49WF2-026	Screw	4	SM9/64" x 40
27	49WF4-007	Bush	1		64	49WF2-024	Needle plate	1	
28	49WF4-011	Reset spring	1		65	7KT4-035	Screw	2	SM11/64" x 40
29	49WF4-012	Spring plate	1		66	49WF2-027	Bed cover	1	
30	1WF4-016	Screw	1	SM15/64"x28	67	49WF2-029	Spring	1	
31	49WF4-015	Feed adjust bracket	1		68	49WF2-031	Washer	1	
32	49WF4-016	Screw	4	SM13/64"x32	69	49WF2-030	Screw	1	SM9/64" x 40
33	49WF4-017	Stitch length graduation plate	1		70	49WF2-032	Tape guide	1	
34	49WF2-026	Screw	3	SM9/64" x 40	71	22WF4-014	Set screw	1	SM11/64"x40
35	22WF4-026	Stitch length regulating block	1		72	7KT2-020	Washer	1	
36	22WF4-027	Nut	1		73	28WF2-008	Set screw	2	
37	13WF4-027	Set screw	2	M5x0.8					

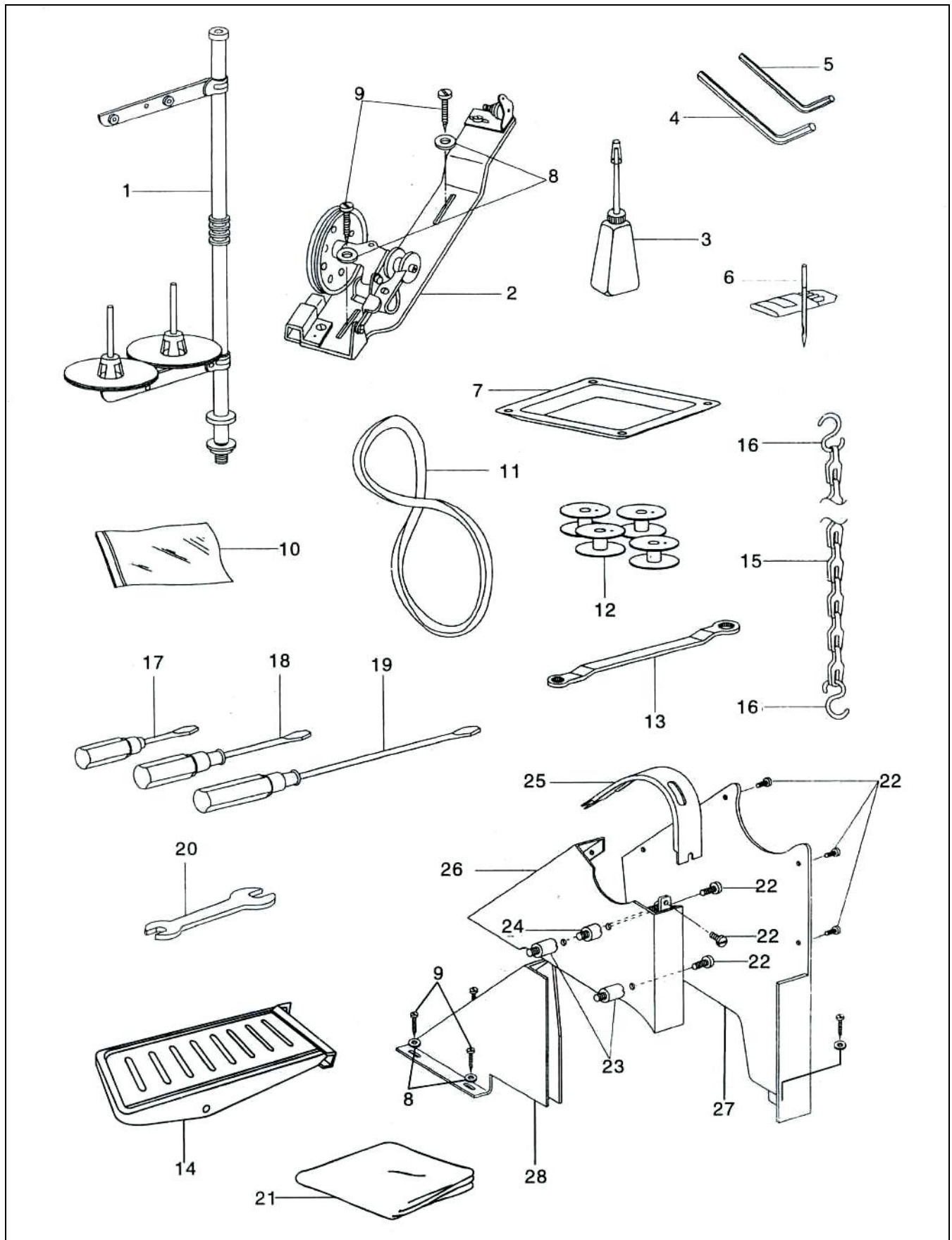
## 6. Threading mechanism



## 6. Threading mechanism

Ref. NO.	Parts No.	Name of parts	Qty	Remarks
1	13WF2-066	Upper cover thread guide	1	
2	13WF2-067	Nut	1	
3	49WF1-006	Rubber plug	1	
4	16WF2-011	Thread guide (upper)	1	SM9/64" X 40
5	16WF2-015	Screw	3	
6	1WF1-006	Thread guide (middle)	1	
7	16WF2-013	Thread guide (lower)	1	
8	16WF2-014	Thread guide felt	1	
9	49WF2-022	Screw	1	
10	13WF2-047	Three-hole thread guide	1	SM117/64"x32
11	16WF2-046A14	Thread release plate	1	
12	16WF2-046A15	Screw	2	SM9/64"x40
13	16WF2-047	Thread release shaft	1	
14	16WF2-049	Spring stopper	1	
15	16WF2-050	Screw	1	SM9/64"x40
16	16WF2-046A1	Upper thread tension board	1	
17	16WF2-046A12	Pin	1	
18	16WF2-046A13	Tension release pin	1	
19	16WF2-046A6	Thread tension disc	2	
20	16WF2-046A5	Tension release disc	1	
21	16WF2-046A4	Thread tension spring	1	
22	153029	Stopper disc	1	
23	16WF2-046A3	Thread tension nut	1	
24	16WF2-046A11	Nut	1	
25	16WF2-046A9	Screw	1	SM3/32" x 56
26	1WF1-010J	Spring guide assembly	1	
27	16WF2-046A7	Spring	1	
28	49WF2-012	Screw	1	SM9/64" x 40
29	16WF2-046A10	Thread tension stud	1	

## 7. Accessories



## 7. Accessories

Ref. NO.	Parts No.	Name of parts	Qty.	Remarks
1	33TF-019	Stand assembly	1	
2	S14420020	Bobbin winder assembly	1	
3	33TF-011	Oil pot	1	
4	1F-010	Hexagonal wrench 2.5	1	2.5mm
5	1F-011	Hexagonal wrench 3	1	3mm
6		Needle	4	DP x 17
7	22WF2-008	Oil pan	1	
8	33TF-018	Washer	6	
9	33TF-017	Screw	6	5x20 GB99-86
10	33TF-010	Parts bag	1	
11	33TF-005	V-belt	1	O type 1380mm
12	49WF1-033	Bobbin	4	
13		Wrench	1	11-12
14	18WF1-013	Pedal assembly	1	
15	18WF1-017	Chain	1	1000mm
16	18WF1-016	Chain hook	2	
17	33TF-014	Screw driver (L)	1	
18	33TF-013	Screw driver (M)	1	
19	33TF-012	Screw driver (B)	1	
20		Wrench	1	8x10
21		Machine cover	1	
22	1WF5-032	Screw	8	SM11/64" x40
23	49WF6-003	Support screw (2)	2	
24	49WF6-002	Support screw (1)	1	
25	22WF6-015	Belt cover (1)	1	
26	22WF6-009	Belt cover (2)	1	
27	49WF6-001	Belt cover (3)	1	
28	49WF6-004	Belt cover (4)	1	