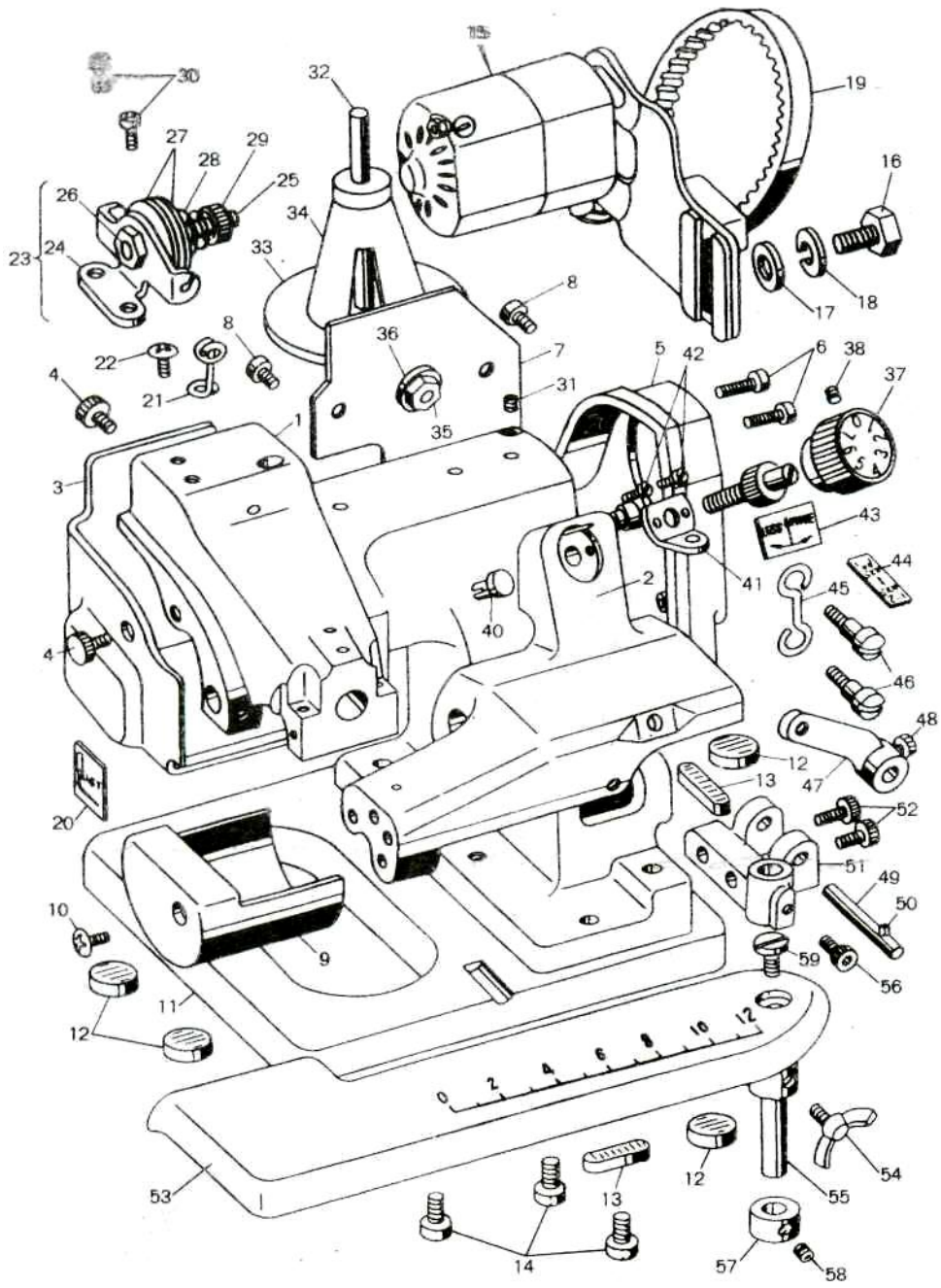


TYPICAL

GL13101-8/GL13106-8

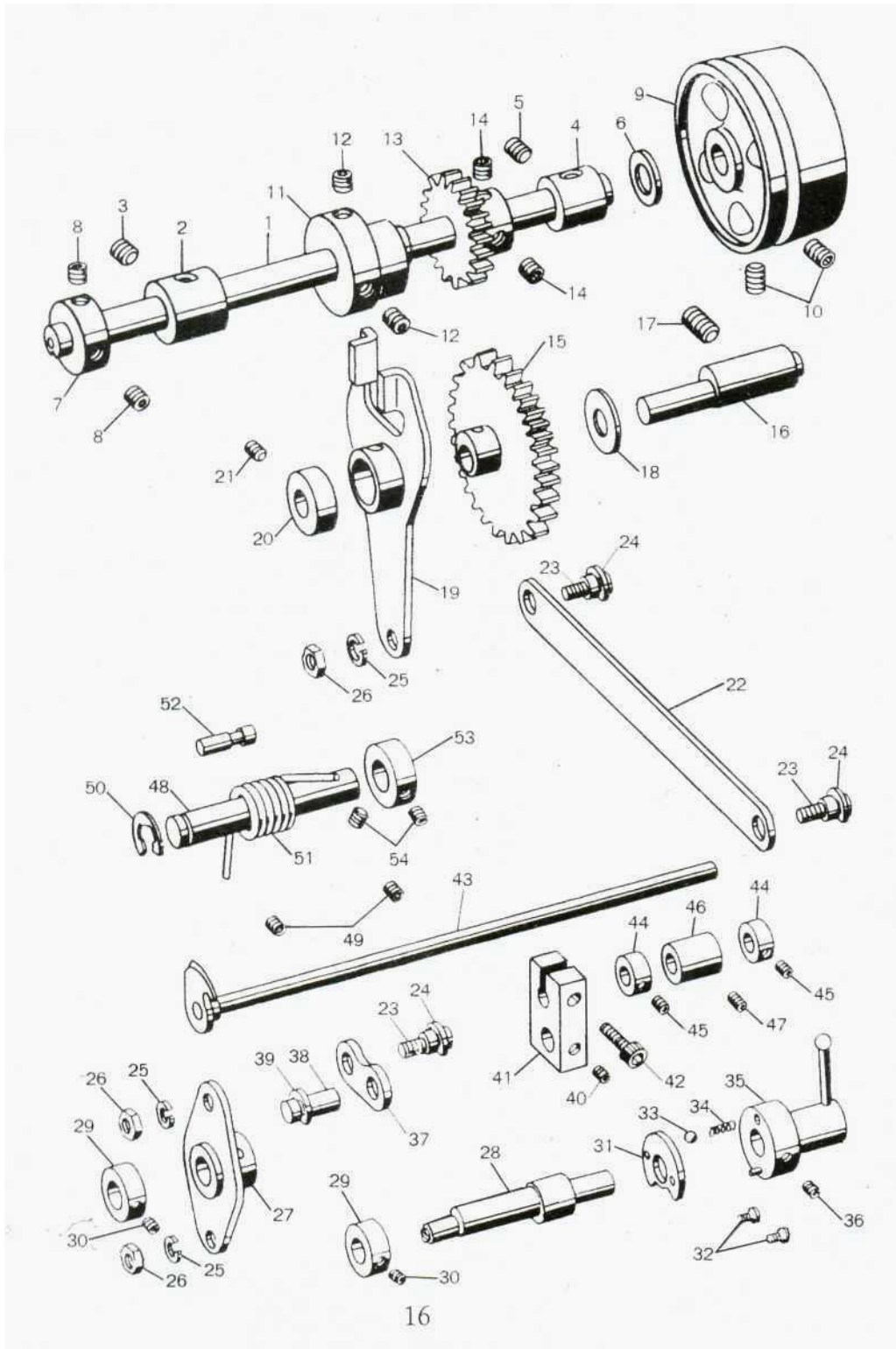
Parts Book



Ref.No.	Part.No.	Description
1	8101	Machine frame
2	8102	Cylinder bed
3	8103	Arm side cover
4	80116	Arm side cover clamp screw
5	80102	Pulley cover
6	GB818	Pulley cover set screw
7	80111	Arm rear cover
8	GS29-2	Arm rear cover set screw
9	80809	End cover
10	GS29-2	End cover set screw
11	80113	Machine base with rubber cushion
12	80115	Rubber cushion
13	80114	Rubber cushion
14	GB70	Machine base clamp screw
15	8104	Motor
16	GB30	Motor bracket set screw
17	GB93	Spring washer
18	GB95	Washer
19	8105	Motor belt
20	8106	Needle system label
21	8107	Thread guide
22	GS29-2	Thread guide set screw
23	80107	Thread tension assembly
24	801072	Thread tension bracket
25	801073	Thread tension screw
26	20746	Hexageon nut
27	20133	Thread tension disc
28	801074	Thread tension spring

29	20129	Thread tension nut
30	GS29-2	Thread tension bracket set screw
31	GS37	Thread guide stud set screw
32	80104	Thread stand
33	80105	Thread stand base
34	80103	Plastic cap
35	GB51	Hexageon nut
36	GB95	Washer
37	80806	Disc regulator
38	GS55-2	Disc regulator set screw
39	80805	Disc regulator dial screw
40	80110	Disc regulator dial screw prop
41	80808	Disc regulator plate spring
42	8108	Disc regulator plate spring set screw
43	8109	Disc regulator indicating label
44	8110	Skip stitch label
45	80822	Cylinder bed connecting hook
46	80823	Cylinder bed connecting hook set screw
47	80821	Knee lifter crank
48	GS56-2	Knee lifter crank set screw
49	80824	Knee lifter shaft
50	GB879	Knee lifter shaft spring pin
51	80905	Work plate bracket
52	GB70	Work plate bracket set screw
53	80901	Work plate
54	8111	Work plate wing screw
55	80904	Work plate shaft
56	GB70	Work plate shaft set screw
57	80906	Work plate shaft collar

58	GS83	Work plate shaft collar set screw
59	80902	Work plate screwed cap



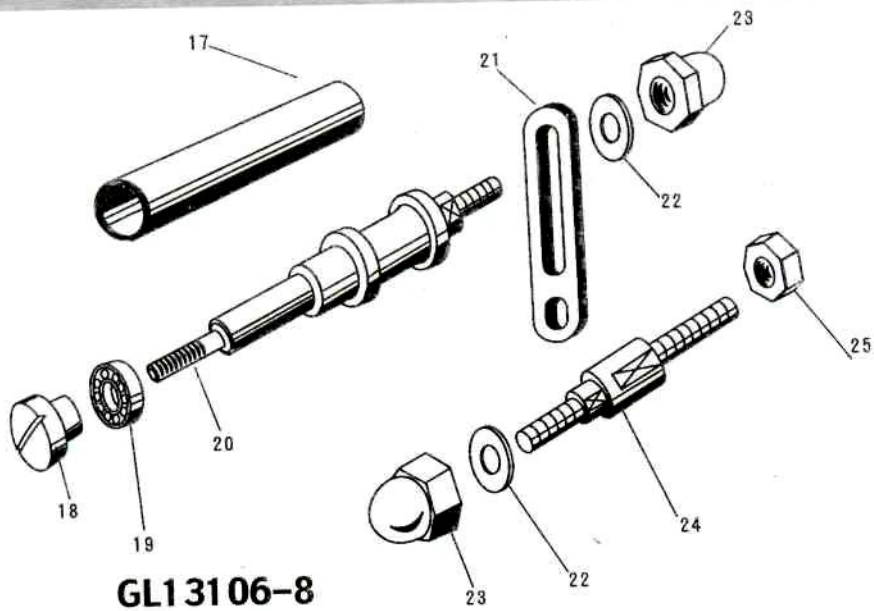
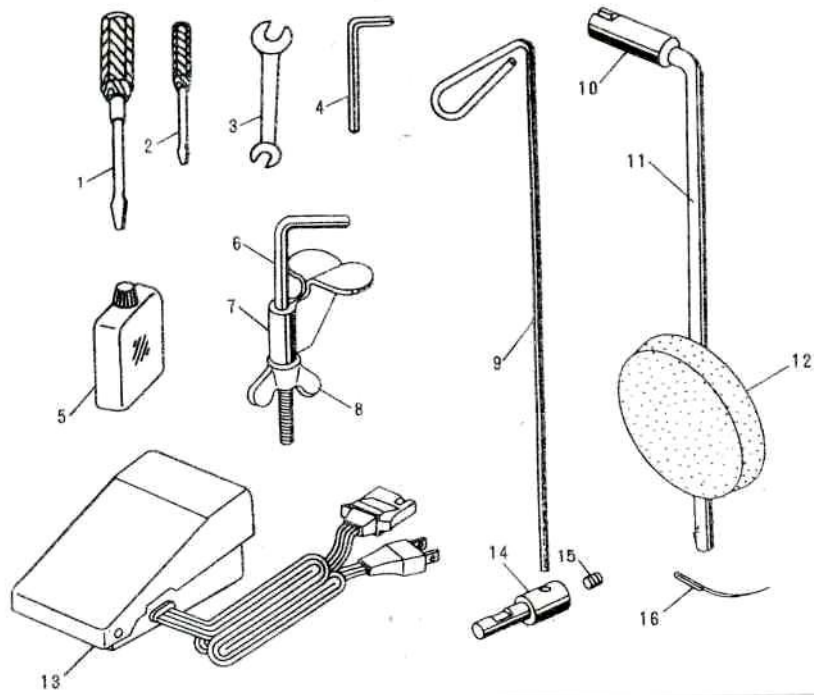
Ref.No.	Part.No.	Description
1	80201	Main shaft
2	80204	Main shaft bushing (Front)
3	GS37	Set screw
4	80208	Main shaft bushing (Rear)
5	GS37	Set screw
6	8201	Washer
7	80203	Main shaft collar
8	GS83	Set screw
9	80209	Pulley
10	GS55-2	Set screw
11	80206	Eccentricity bushing
12	GS9-2	Set screw
13	80207	Main shaft gear
14	GS9-2	Set screw
15	80702	Large gear
16	80705	Gear eccentricity shaft
17	GS50	Set screw
18	80703	Washer
19	80701	Gear eccentricity shaft fork
20	80704	Collar
21	GS50	Set screw
22	80706	Connecting link
23	80708	Rod holding screw
24	GB896	Collar
25	GB91.7	Washer
26	GL8-2	Hexageon nut
27	80709	Connecting rod
28	80711	Eccentricity shaft

29	80704	Collar
30	GS50	Set screw
31	80714	Lever plate
32	GB819	Set screw
33	8202	Ball
34	20324	Spring
35	80712	Skip stitch lever
36	S2	Set screw
37	80720	Connecting link (Short)
38	80707	Pin
39	GB896	Collar
40	GS43	Set screw
41	80717	Connecting block
42	GS55	Set screw
43	80716	Ridge forming disc shaft assembly
44	80718	Collar
45	GS83	Set screw
46	80719	Ridge forming disc shaft bushing
47	GS29-2	Set screw
48	80817	Cylinder bed shaft
49	GS29-2	Set screw
50	GB896	Collar
51	80816	Spring
52	80112	Spring pin
53	80818	Collar
54	GS83	Set screw

Ref.No.	Part.No.	Description
1	80202	Eccentricity wheel
2	GS83	Set screw
3	20401	Needle shaft link
4	20404	Eccentricity ball shaft pin
5	GS14-2	Set screw
6	GS55	Set screw
7	GS13-2	Set screw
8	20403	Cover
9	20322	Ball eccentricity bushing
10	80403	Needle carrier shaft
11	80401	Needle carrier shaft crank
12	80402	Needle carrier shaft bushing
13	GS45	Set screw
14	80205	Collar
15	GS83	Set screw
16	GB1235	"O" ring
17	20412	Needle carrier
18	20411	Set screw
19	20415	Needle clamp
20	GS16-2	Set screw
21	LWx6T	Needle
22	20501	Set screw
23	GS19-2	Set screw
24	20507	Universal coupling
25	GS20-2	Set screw
26	20502	Orientation ring
27	GS43	Set screw
28	20514	Swing arm
28-1	GS21-2	Swing arm set screw
29	GS21-2	Set screw
30	80501	Thread hook lever

31	GS23-2	Set screw
32	20516	Thread hook
33	20511	Swing arm shaft
34	80502	Eccentricity sleeve
35	GS55-2	Set screw
36	80301	Stitch regulating eccentricity
37	GS45	Set screw
38	80302	Feed lever
39	GS44	Set screw
40	80305	Feed lever crank
41	80303	Feed lever crank bushing
42	GS8	Set screw
43	80304	Collar
44	GS47	Set screw
45	20301	Feed dog
46	GB861.1	Washer
47	GS10-2	Set screw
48	20602	Presser foot bracket
49	GS26-2	Set screw
50	GS29-2	Set screw
51	GB97	Washer
52	GS30-2	Set screw
53	GS27-2	Set screw
54	20600	Presser foot assembly
55	20605	Plain presser foot
56	8301	Chaining finger
57	GS33-2	Set screw
58	8302	Needle guide
58-1	8303	Stitch stabilizing guide
59	GS31-2	Set screw
60	8304	Edge guide

61	8035	Set screw
62	8306	Cloth retainer
63	8307	Cloth retainer serew
64	8308	Cloth retainer spring
65	8309	Cloth retainer spring eccentric stud
66	8310	Set screw
67	8311	Cloth retainer spring eccentric stud bushing
68	8312	Set screw
69	8313	Cloth vetainer stopper
70	8314	Set screw
71	80811	Feed plate assembly(Left)
72	80811	Feed plate assembly(Right)
73	80812	Spring
74	80820	Spring pin
75	GS45	Set screw
76	80810	Feed plate bracket shaft
77	GS45	Set screw
78	80827	Collar
79	80815	Collar
80	GS43	Set screw
81	80814	Eccentricity shaft
82	GS45	Set screw



Ref.No.	Part.No.	Description
1	8401	Screw driver(Large)
2	8402	Screw driver(Small)
3	8403	Spanner
4	8404	Wrench
5	8405	Oil
6	8406	Machine clamp shaft
7	8407	Machine clamp
8	8408	Machine clamp nut
9	80108	Thread guide
10	80825	Knee press sleeve
11	80826	Knee press rod
12	8409	Knee press pad assembly
13	8410	Controller pedal
14	80106	Thread guide stud
15	S40	Thread guide set screw
16	LWx6T	Needle

GL13106-8

17	8411	Feed sleeve
18	GL35-2	Nut
19		Bearing
20	8412	Small shaft
21	8413	Clamp plate
22	GB97.1	Washer
23	8414	Ball nut
24	8145	Clamp shaft
25	GB6170	Hexagon nut